

## SPG200 SERIES



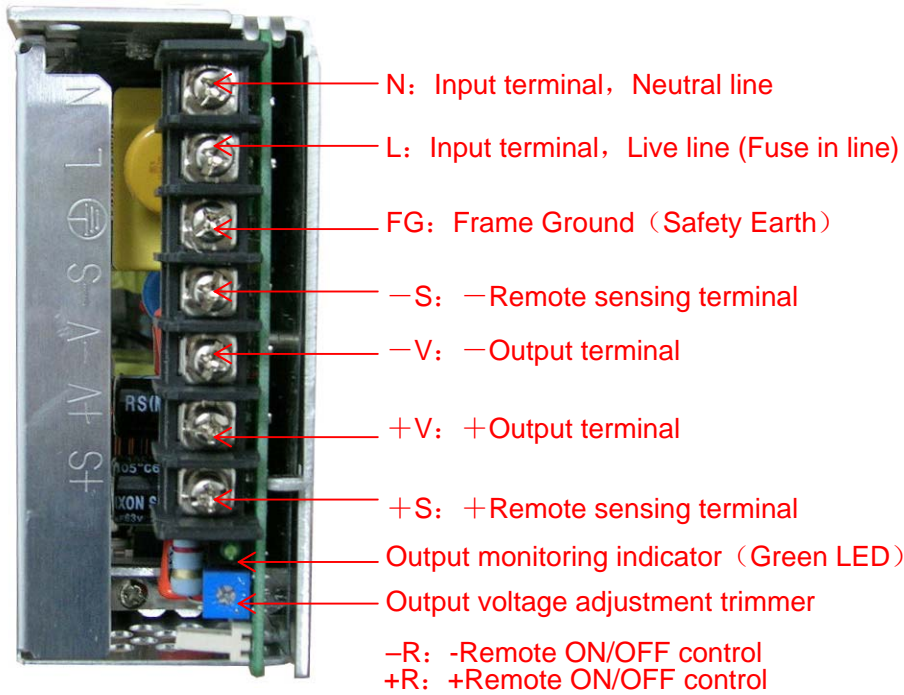
## Feature

- International AC Input Range
- Soft-Start Circuit, Limiting AC Surge
- Protection: Short circuit/Over load/  
Over voltage/Over temperature
- Built in EMI Filter, Low Ripple Noise
- Built in PFC Circuit to meet IEC61000-3-2
- Compliance to UL1950, EN60950
- MTBF 100Khrs Min., MIL-HDBK-217F (25°C)
- Remote On/Off Control (Option)
- Cooling by free air convection
- 100% Full Load Burn-in Test
- Three Years Warranty

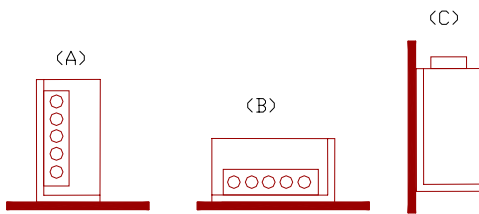
## SPECIFICATIONS:

INPUT	Model		SPG200-5V~SPG200-54V
	Voltage		AC90-264V(1 $\phi$ ) or DC100-340V
	Current	$V_{in}=100VAC$	2.4A typ
		$V_{in}=200VAC$	1.2A typ
	Frequency		47~63Hz
	Efficiency		85% typ
	Power Factor	$V_{in}=100VAC$	0.99typ ( $I_o=100\%$ )
		$V_{in}=200VAC$	0.95typ ( $I_o=100\%$ )
	Inrush Current	$V_{in}=100VAC$	5A typ ( $I_o=100\%$ ,At cold state)
$V_{in}=200VAC$		10A typ ( $I_o=100\%$ ,At cold state)	
LEAKAGE CUURENT		1.5mA max (60Hz,According to UL,CSA,VDE AND DEN-AN)	
OUTPUT	Voltage		5~54VDC
	Current		35~3.7A
	Line Regulation		20~200mV max
	Load Regulation		40~250mV max
	Ripple	0~+50°C*1	80~150mVp-p max
		-10~0°C*1	100~200mVp-p max
	Ripple Noise	0~+50°C*1	50~150mVp-p max
		-10~0°C*1	100~200mVp-p max
	Drift *2		20~200mV max
	Start-Up Time		500mS max ( $V_{in}=85VAC$ , $I_o=100\%$ )
Hold-Up Time		20mS typ ( $I_o=100\%$ )	
Output Voltage Adjustment Range		$\pm 10\%$	
PROTECTION CIRCUIT AND OTHERS	Over Current Protection		Work over 105% of rating and recovers automatically
	Over Voltage Protection		Works at 115-140% of rating
	Operating Indication		LED(GREEN)
	Remote Sensing		Provided
Remote ON/OFF		Optional(Refer to Instruction Manual)	
ISOLATION	Input-Output.RC*3		AC3000V 1minute, Cutoff current=10mA, DC500V 50M $\Omega$ min (At room temperature)
	Input-FG		AC2000V 1minute, Cutoff current=10mA, DC500V 50M $\Omega$ min (At room temperature)
	Output.RC-FG*3		AC500V 1minute, Cutoff current=20mA, DC500V 50M $\Omega$ min (At room temperature)
	Output-RC*3		AC100V 1minute, Cutoff current=50mA, DC100V 10M $\Omega$ min (At room temperature)
ENVIRONMENT	Operating Temperature, Humid and Altitude		-10to+65°C,20-90% RH(Non condensing)(Refer to DERATION CURVE), 3,000m(10,000feet)max
	Storage Temperature, Humid and Altitude		-20to+75°C,20-90% RH(Non condensing),9,000m(3,000feet)max
	Vibration		10-55HZ,19.6m/s <sup>2</sup> (2G), 3minutes period, 60minutes each along X,Y and Z axis
	Impact		196.1m/s <sup>2</sup> (20G), 11ms, once each X,Y and Z axis
Safety and Noise Regulations	Safety Standard		Compliance to UL1950,EN60950,VDE0160,CSA C22.2 N <sub>0</sub> .234Complies with DEN-AN and IEC60950
	Conducted Emission		Compliance to FCC-B,CISPR22-B,EN55022-B,VCCI-B
	Radiated Emission		Compliance to FCC-B,CISPR22-B,EN55022-B,VCCI-B
	Harmonic Attenuator		Compliance to IEC61000-3-2
OTHERS	Case Size		45×99×179mm (without terminal block)(W×H×D)
	Weight		900g max (without cover)
	Cooling Method		Free Air Convection

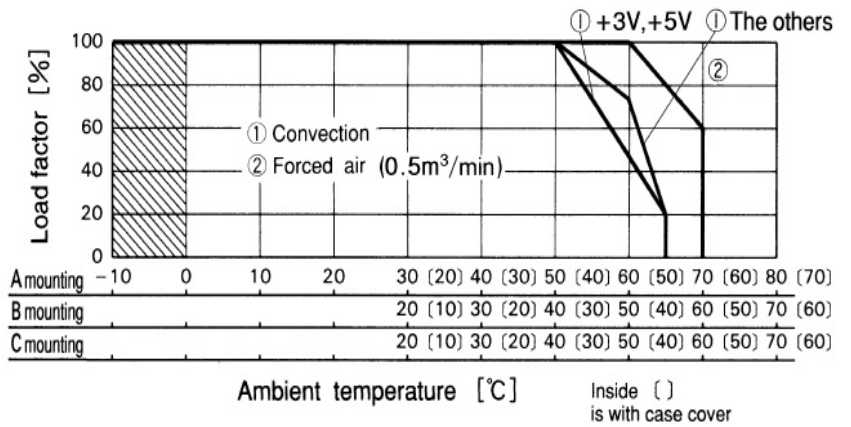
**TERMINALBLOCK:**



**MOUNTING METHOD:**



**DERATING CURVE:**



**OUTLINE DRAWING:**

